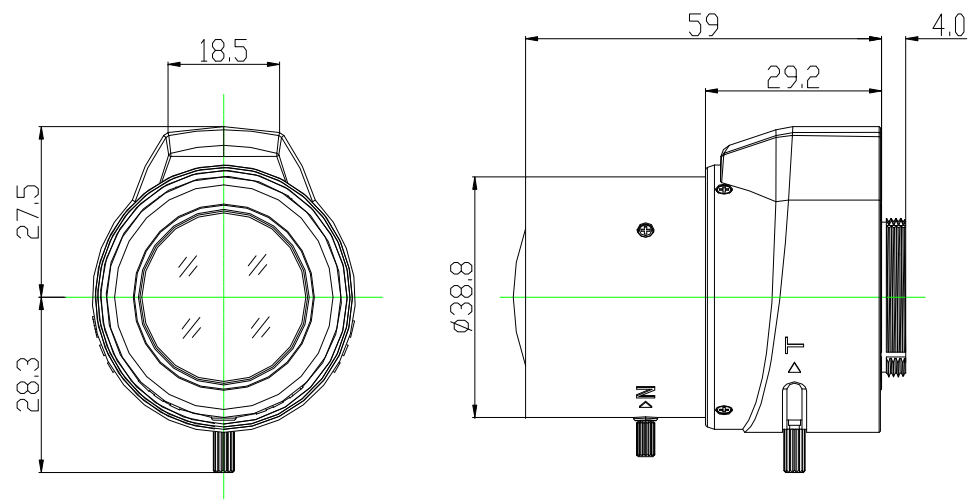


Vari-Focal Lenses , DC Auto Iris KAT132713DCIRMP-13

- * The use of Aspherical-definition technology to achieve high-quality
- * Large-diameter F1.3 visible than dark environment to adapt to the use of
- * Multi-layer coating technology to effectively prevent glare, ghosting
- * Professional precision machining of high-quality lenses to ensure that



Unit: mm

Image Format Cover		1/3"	
Mount		CS	
Focal Length		2.7-13.0mm	
Iris Range		F1.3-F360C	
Angle Field of View (D×H×V)	1/3"	Wide	123° x98° x 77.3°
		Tele	28.6° x22° x 16.5°
	1/4"	Wide	92° x73.1° x54.6°
		Tele	21.5° x17.1° x 15.8°
Operation	Zoom Operation		Manual w/Lock
	Focus Operation		Manual w/Lock
	Iris Operation		Auto Iris(DC)
Focusing Range		0.3m- ∞	
Back Focus (in air)	Wide		8.77mm
	Tele		20.7mm
Effective Lens Aperture	Front		25.6mm
	Rear		8.6mm
Operating Temperature		-10°C ~ +50°C	
Weight		78.0g	